



Specification Number	Length (m) minimum	Lining requirements	Other requirements
BLG	0.6	10mm GIB Braceline® one side 10mm GIB® Standard Plasterboard other side	Hold-downs

WALL FRAMING

Wall framing to comply with,

- NZBC B1 – Structure: AS1 Clause 3 – Timber (NZS3604)
- NZBC B2 – Durability: AS1 Clause 3.2 – Timber (NZS3602)

Framing dimensions and height as determined by NZS3604 stud and top plate tables for load-bearing and non load-bearing walls. The use of kiln dried machine stress graded timber is recommended.

BOTTOM PLATE FIXING

Timber floor

Use panel hold-down connections at each end of the bracing element. The GIB Handibrac® is recommended. Details are specified separately. In addition use pairs of 100 x 3.75mm hand driven nails or three 90 x 3.15mm power driven nails at 600mm centres along the length of the bracing element.

Concrete floor

Use panel hold-down connections at each end of the bracing element. The GIB Handibrac® is recommended. Details are specified separately. Within the length of the bracing element bottom plates are fixed in accordance with the requirements of NZS 3604:1999.

WALL LINING

One layer of 10mm GIB Braceline® one side of the frame and one layer of 10mm GIB® Standard Plasterboard the other. Vertical or horizontal fixing permitted. Sheet joints shall be touch fitted. Use full length sheets where possible.

PERMITTED SUBSTITUTION

GIB Braceline®
13mm GIB Braceline® (fixed with GIB Braceline® Screws). For other permitted GIB® Plasterboard substitution refer to page 23 in GIB® EzyBrace™ Systems, 2009.
GIB® Standard Plasterboard
Any 10 or 13mm GIB® Plasterboard.

FASTENING THE LINING

Fasteners

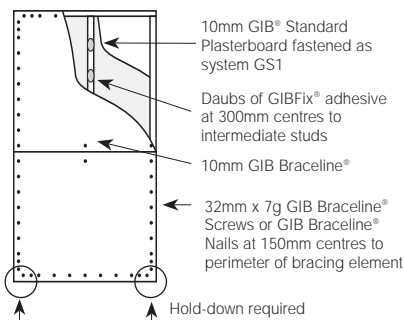
GIB Braceline®
32mm x 7g GIB Braceline® Screws or
35mm GIB Braceline® Nails
GIB® Standard Plasterboard
32mm x 6g GIB® Grabber® Drywall Screws or 30mm GIB® Nails.

Fastener Centres

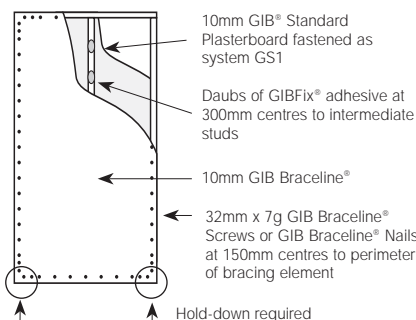
50, 100 and 150mm from each corner and 150mm thereafter around the perimeter of the bracing element. For vertical fixing place fasteners at 300mm centres at sheet joints in the tapered sheet edge. For horizontal fixing place single fasteners in the tapered edge where sheets cross studs. Use daubs of GIBFix® Adhesive at 300mm centres to intermediate studs. Place fasteners 12mm from tapered paper bound sheet edges and 18mm from sheet end or cut sheet edges.

JOINTING

All fastener heads stopped and all sheet joints paper-tape reinforced and stopped in accordance with the "GIB® Site Guide".

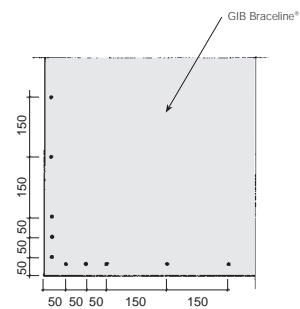


Horizontal Fixing



Vertical Fixing

For hold-down fixings refer to pages 20 and 21 in GIB® EzyBrace™ Systems, 2009.



Fasteners are placed at 150mm centres around the bracing element perimeter starting at 50, 100, and 150mm from the bracing element corner. Fasteners are placed no closer than 12mm to a paper bound machine edge of the sheet and no closer than 18mm to a sheet end or cut edge.

In order for GIB® systems to perform as tested, all components must be installed exactly as prescribed. Substituting components produces an entirely different system and may seriously compromise performance. Follow the specifications. This Specification sheet is issued in conjunction with the publication GIB® EzyBrace™ Systems, 2009 and has been appraised in accordance with the BRANZ Appraisal No. 294 (2009).

