



Rondo® 310 metal ceiling battens

IN STOCK NOW

There are many challenges that New Zealand builders are having to deal with at the moment but sourcing a ceiling batten does not have to be one of them. The GIB® Rondo® 310 metal ceiling batten is a 35mm deep ceiling batten and it can easily be used in place of 70 x 35mm timber battens.

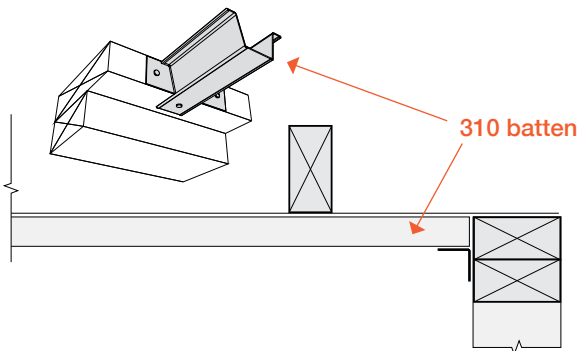
Manufactured in New Zealand the GIB® Rondo® 310 metal ceiling batten can be directly fastened to the timber trusses with the GIB® Grabber® 32mm x 8 gauge wafer head screw through the flanges. Alternatively a 45 x 2.8mm flat head gun nail can be used to secure the batten (view the direct fix video gib.co.nz/gib-rondo).

Not only are we confident on our ability to have stock on hand when you need it there are also other significant benefits to using GIB® Rondo® 310 metal ceiling batten:

- GIB® Rondo® does not warp or twist with changes in moisture or temperatures so will significantly reduce the chances of cracked joints and popped fasteners
- The 310 batten is available in three lengths: 3.6, 4.8 and 6 metres
- GIB® Rondo® is lightweight and compact providing easy handling and storage, and cost effective transportation

- Versatile as it can also be installed on clips to compensate for any deviations in framing
- Manufactured in New Zealand, from 0.55 BMT
- Has a Z275 coating exceeding the NZBC durability requirements for interior use
- When using 13mm GIB® Plasterboard the battens can be placed at 600mm centres (see table below)
- Can be used for ceiling diaphragms
- For full installation details refer to the GIB® Site Guide
- Technical support available from the GIB® Helpline on 0800 100 442
- Available from all major building merchants

For further information go to gib.co.nz or call the GIB® Helpline 0800 100 442.



GIB® Rondo® 310 Batten Span Table for Residential Internal Applications

GIB® Plasterboard thickness single layer	Maximum batten spacing
10mm	450mm
13mm	600mm