



# Penetrations in GIB® Fire Rated Systems

Penetrations in fire rated construction can allow premature spread of fire and smoke if not correctly tested, specified or installed. Failure of penetrations can compromise the FRR and in turn the safety of building occupants.

## GENERIC DETAILS FOR ONE-SIDED PENETRATIONS

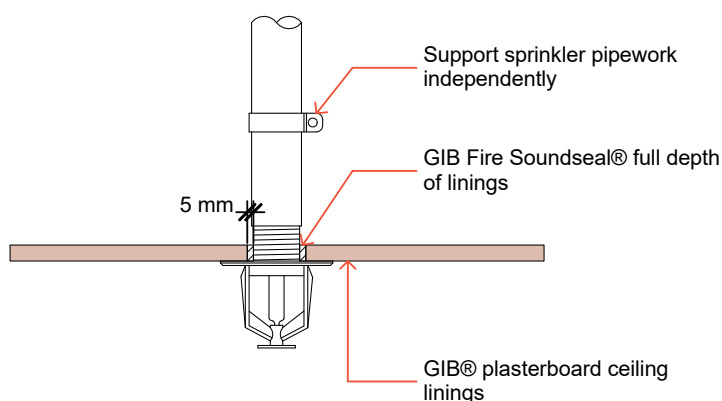
This page gives generic details for the installation of simple one-sided penetrations through the linings of GIB® Fire Rated Systems. They include a sprinkler penetration, and single and looped cable penetrations for surface-mounted electrical fixtures. The penetration details shown are suitable for application in GIB® Fire Rated Systems having an FRR up to 120 minutes.

Accurately mark the location of the penetration prior to installation of the sheet linings. At this location drill a

hole through the sheet at the diameter shown. Install the sheet and apply GIB Fire Soundseal® around the penetrating item to the full depth of the linings.

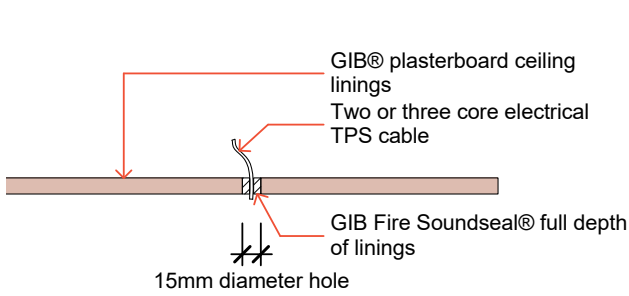
For further information consult the **GIB Fire Soundseal® Product Features and Technical Literature on the GIB® website** [gib.co.nz/products/adhesives-and-sealants/gib-fire-soundseal](http://gib.co.nz/products/adhesives-and-sealants/gib-fire-soundseal)

**Figure 1: Sprinkler Pipe penetration (ceiling)**

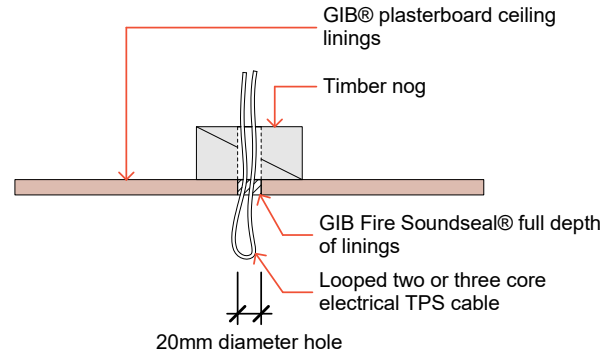


GFS 242

**Figure 2: Single and looped cable penetrations (ceiling)**

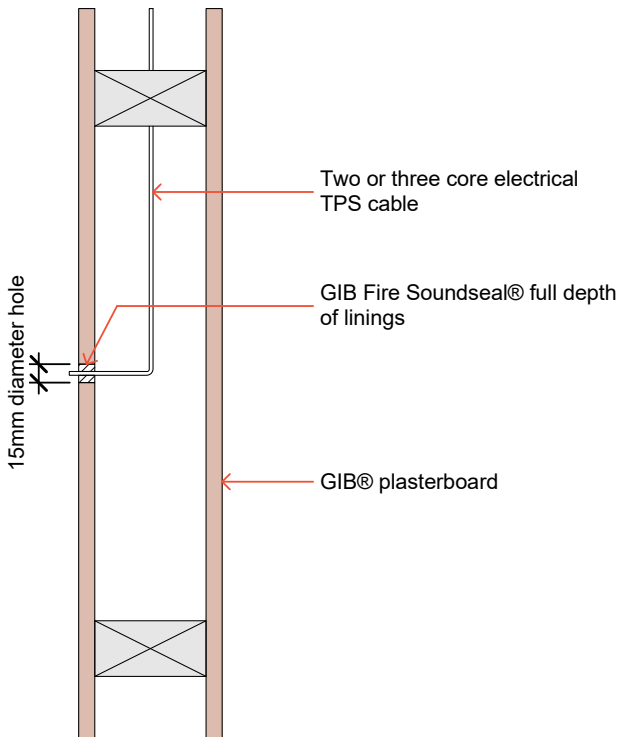


GFS 240

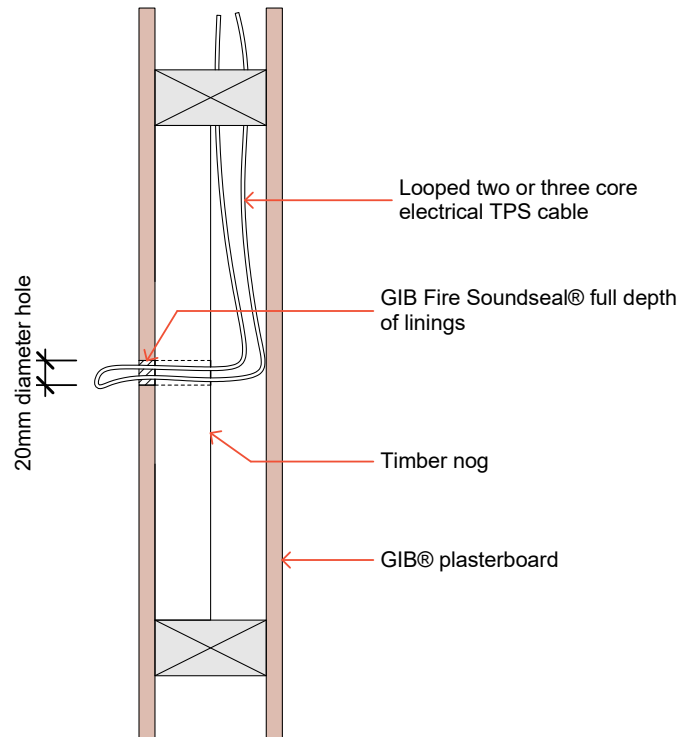


GFS 243

**Figure 3: Single and looped cable penetrations (wall)**



GFS 241



GFS 244